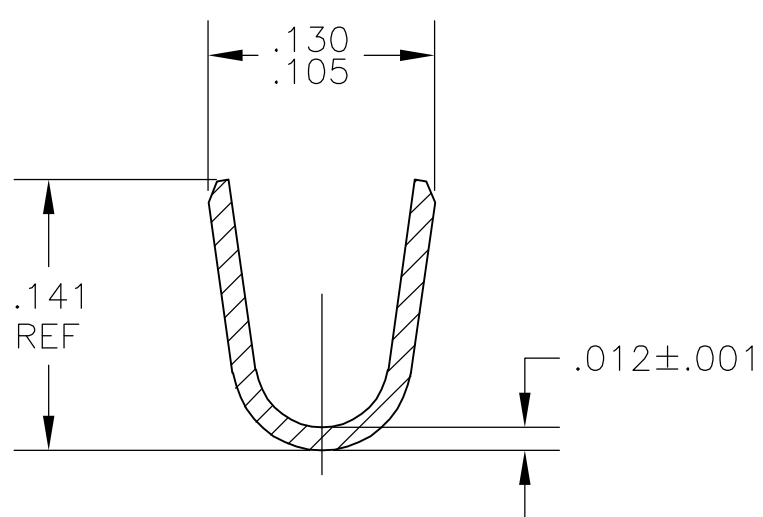
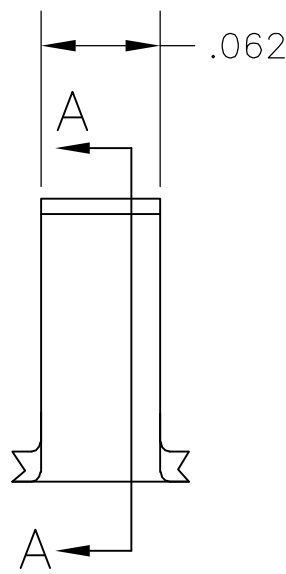
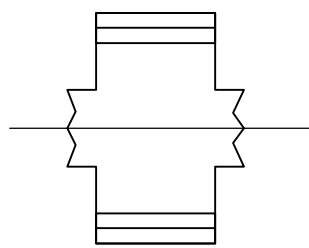


THIS DRAWING IS UNPUBLISHED. RELEASED FOR PUBLICATION  
 © COPYRIGHT BY TYCO ELECTRONICS CORPORATION. ALL RIGHTS RESERVED.

LOC	DIST	REVISIONS				
P	LTR	DESCRIPTION	DATE	DWN	APVD	
AF	50	H1	ECR-07-006113(REDRAWN IN AUTOCAD)	18JAN07	HMR	GP

- 1 CONTINUOUS STRIP ON REELS.
- 2 WIRE RANGE: 2200 TO 4500 CMA



SECTION A-A

41215  
PART NO

THIS DRAWING IS A CONTROLLED DOCUMENT.		DWN RAGHAVENDRA 18JAN07	Tyco Electronics Corporation Harrisburg, Pa 17105-3608				
DIMENSIONS: INCHES		CHK G.D.PORTA 18JAN07					
		APVD G.D.PORTA 18JAN07	NAME				
		PRODUCT SPEC	SPLICE				
MATERIAL STEEL		FINISH .000100 MIN NICKEL	APPLICATION SPEC	SIZE A3	CAGE CODE 00779	DRAWING NO C-41215	RESTRICTED TO
CUSTOMER DRAWING			WEIGHT -	SCALE 10:1	SHEET 1 OF 1	REV H1	